

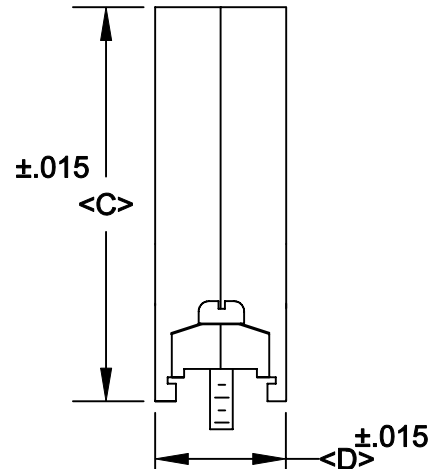
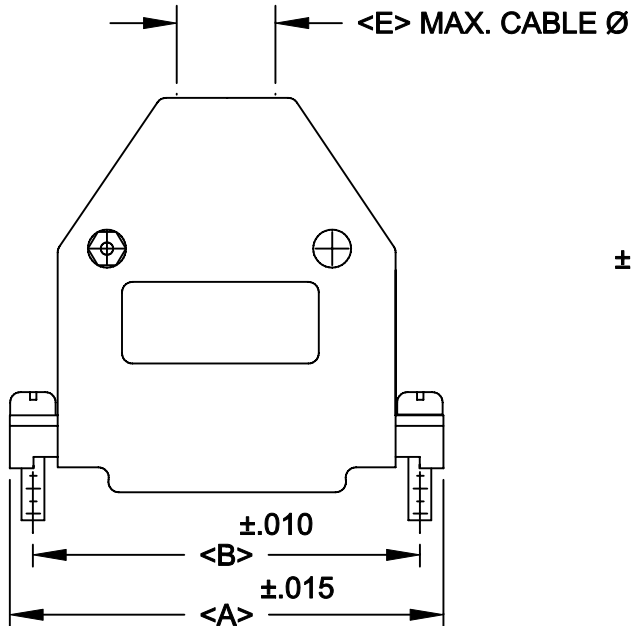
DESCRIPTION: **979 SERIES D-SUB BACKSHELL**

BACKSHELL KIT INCLUDES:

- (2) BACKSHELL HALVES
- (2) 4-40 MATING SCREW
- (2) SADDLE WASHERS
- (2) HOUSING SCREWS
- (2) HOUSING NUTS
- (1) GROMMET TREE - VARIOUS SIZES
(NON-CONDUCTIVE GROMMETS)

979-YYY-YYYRYY1

SERIES _____
 POSITIONS _____
 009
 015
 025
 037
 050
 MATERIAL _____
 020 = METALIZED PLASTIC
 COLOR: _____
 12 = CHROME
 PUT-UPS _____
 1 = KIT



POS.	A	B	C	D	E
9	1.232	.984	1.913	.656	.354
	31.28	24.99	48.60	16.66	9.00
15	1.555	1.312	1.895	.669	.374
	39.50	33.32	48.13	17.00	9.50
25	2.100	1.852	1.764	.655	.397
	53.34	47.04	44.80	16.64	10.00
37	2.748	2.500	1.900	.655	.512
	69.80	63.50	48.26	16.64	13.00
50	2.697	2.406	1.900	.770	.512
	68.50	61.11	48.26	19.56	13.00

MATERIAL: ABS HIGH TEMP. PLASTIC - UL 94HB
CHROME PLATING
RoHS COMPLIANT



THESE DRAWINGS AND SPECIFICATIONS ARE THE PROPERTY OF NorComp AND SHALL NOT BE REPRODUCED, COPIED OR USED AS THE BASIS FOR THE MANUFACTURE OR SALE OF APPARATUS WITHOUT WRITTEN PERMISSION.

DRAWN: **PAM JENKINS**

DATE: **7-28-05**

CHECKED

DATE:

NorComp

SCALE SHEET OF REV **2**

DWG NO. **979-YYY-020R121**